

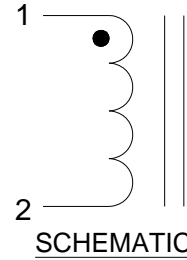
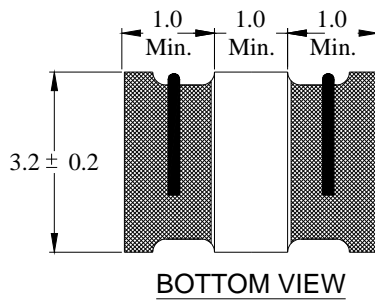
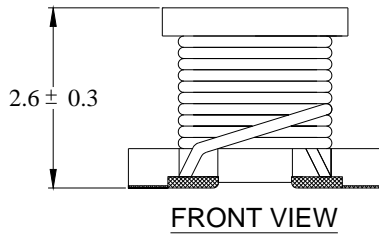
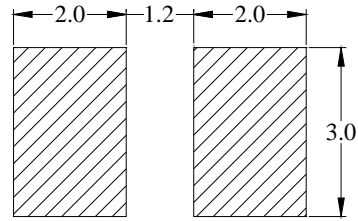
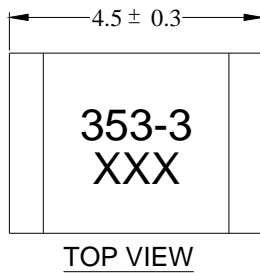
SMD INDUCTOR DR353-3 SERIES
Features

- Low Profile Surface Mount Design
- Flat Top for Pick and Place
- Inductance Range from 1.0 μ H to 2200.0 μ H
- Operating Temp. -25°C to + 85°C
- Tinned Leads with Leaded Solder is Available (note 6)


ELECTRICAL SPECIFICATIONS AT 25°C

Part No.	Inductance (μ H)		DCR (Ω) Max.	Q Min.		I _{rated} (mA) Max.	SRF (MHz) Min.
DR353-3-102	1.0 \pm 20%	@1MHz	0.20	20	@1MHz	500	120
DR353-3-122	1.2 \pm 20%	@1MHz	0.20	20	@1MHz	500	100
DR353-3-152	1.5 \pm 20%	@1MHz	0.30	20	@1MHz	500	85
DR353-3-182	1.8 \pm 20%	@1MHz	0.30	20	@1MHz	500	75
DR353-3-222	2.2 \pm 20%	@1MHz	0.30	20	@1MHz	500	62
DR353-3-272	2.7 \pm 20%	@1MHz	0.32	20	@1MHz	500	53
DR353-3-332	3.3 \pm 20%	@1MHz	0.35	20	@1MHz	500	47
DR353-3-392	3.9 \pm 20%	@1MHz	0.38	20	@1MHz	500	41
DR353-3-472	4.7 \pm 20%	@1MHz	0.40	30	@1MHz	500	38
DR353-3-562	5.6 \pm 20%	@1MHz	0.47	30	@1MHz	500	33
DR353-3-682	6.8 \pm 20%	@1MHz	0.50	30	@1MHz	450	31
DR353-3-822	8.2 \pm 20%	@1MHz	0.56	30	@1MHz	450	27
DR353-3-103	10 \pm 10%	@1MHz	0.56	35	@1MHz	400	23
DR353-3-123	12 \pm 10%	@1MHz	0.62	35	@1MHz	380	21
DR353-3-153	15 \pm 10%	@1MHz	0.73	35	@1MHz	360	19
DR353-3-183	18 \pm 10%	@1MHz	0.82	35	@1MHz	340	17
DR353-3-223	22 \pm 10%	@1MHz	0.94	35	@1MHz	320	15
DR353-3-273	27 \pm 10%	@1MHz	1.1	35	@1MHz	300	14
DR353-3-333	33 \pm 10%	@1MHz	1.2	35	@1MHz	270	12
DR353-3-393	39 \pm 10%	@1MHz	1.4	35	@1MHz	240	11
DR353-3-473	47 \pm 10%	@1MHz	1.5	35	@1MHz	220	10
DR353-3-563	56 \pm 10%	@1MHz	1.7	35	@1MHz	200	9.3
DR353-3-683	68 \pm 10%	@1MHz	1.9	35	@1MHz	180	8.4
DR353-3-823	82 \pm 10%	@1MHz	2.2	35	@1MHz	170	7.5
DR353-3-104	100 \pm 10%	@1MHz	2.5	40	@796kHz	160	6.8
DR353-3-124	120 \pm 10%	@1MHz	3.0	40	@796kHz	150	6.2
DR353-3-154	150 \pm 10%	@1MHz	3.7	40	@796kHz	130	5.5
DR353-3-184	180 \pm 10%	@1MHz	4.5	40	@796kHz	120	5.0
DR353-3-224	220 \pm 10%	@1MHz	5.4	40	@796kHz	110	4.5
DR353-3-274	270 \pm 10%	@1MHz	6.8	40	@796kHz	100	4.0
DR353-3-334	330 \pm 10%	@1MHz	8.2	40	@796kHz	95	3.6
DR353-3-394	390 \pm 10%	@1MHz	9.7	40	@796kHz	90	3.3
DR353-3-474	470 \pm 10%	@1kHz	11.8	40	@796kHz	80	3.0
DR353-3-564	560 \pm 10%	@1kHz	14.5	40	@796kHz	70	2.7
DR353-3-684	680 \pm 10%	@1kHz	17.0	40	@796kHz	65	2.5
DR353-3-824	820 \pm 10%	@1kHz	20.5	40	@796kHz	60	2.2
DR353-3-105	1000 \pm 10%	@1kHz	25.0	40	@252kHz	50	2.0
DR353-3-125	1200 \pm 10%	@1kHz	30.0	40	@252kHz	45	1.8
DR353-3-155	1500 \pm 10%	@1kHz	37.0	40	@252kHz	40	1.6
DR353-3-185	1800 \pm 10%	@1kHz	45.0	40	@252kHz	35	1.5
DR353-3-225	2200 \pm 10%	@1kHz	50.0	40	@252kHz	30	1.3

MECHANICAL OUTLINES



Notes:

1. All dimensions are shown in millimeter "mm"
2. General tolerance ± 0.2 mm, unless other specified
3. I_{rated} for an approximate 40°C temperature rise
4. I_{rated} for an approximate 20% drop maximum of the initial value
5. Tape and reel quantity, 500 pcs/reel
6. For non-RoHS parts replace DR prefix with 42- (e.g. DR353-3 becomes 42-353-3)
7. Terminal finish is compliant to RoHS requirements. Solder in accordance with J-STD-020D